

Catalogue numbers



S701



S751



S801

Soft Start Controller - S701

Description	Catalogue numbers	Price
45mm wide		
4kW, 15A max, 208 - 240Vac	S701C15N3S	£134.05
5.5kW, 15A max, 380 - 440Vac	S701E15N3S	£159.25
90mm wide		
7.5kW, 25A max, 208 - 240Vac	S701C25N3S	£202.16
11kW, 25A max, 380 - 440Vac	S701E25N3S	£210.66

Soft Start Controller with Bypass - S701

Description	Catalogue numbers	Price
90mm wide		
7.5kW, 25A max, 208 - 240Vac	S701C25N3BP	£235.53
11kW, 25A max, 380 - 440Vac	S701E25N3BP	£292.92

Soft Start Controller with Brake - S701

Description	Catalogue numbers	Price
90mm wide		
5.5kW, 25A max, 208 - 240Vac	S701C25B3S	£417.01
12.5kW, 25A max, 380 - 440Vac	S701E25B3S	£425.59

Torque Limiter - S701

Description	Catalogue numbers	Price
45mm wide		
4kW, 15A max, 208 - 480Vac	TL480N15	£70.22
7.5kW, 25A max, 208 - 480Vac	TL480N25	£80.86

Reversing Contactor - S701

Description	Catalogue number	Price
45mm wide		
4kW, 10A max, 208 - 480Vac	S511E10N3S	£134.05

Soft Start Controller - S751

Description	Catalogue numbers	Price
0.8A max	S751L01N3S	£241.67
1.9A max	S751L02N3S	£258.33
4.4A max	S751L04N3S	£285.00
9.0A max	S751L09N3S	£313.33
16A max	S751L16N3S	£328.33
27A max	S751L27N3S	£358.33

* Lugs are not provided on these frame sizes, see lug kits
Maximum rated voltage = 600Vac

Soft Start Controller - S801

Standard ramp time units, 0.5 to 180s

Rating at 400V	Frame	Catalogue numbers	Price
21kW, 37A max	N	S801N37N3S	£1,000.00
37kW, 66A max	N	S801N66N3S	£1,090.91
59kW, 105A max	R	S801R10N3S	£1,342.66
76kW, 135A max	R	S801R13N3S	£1,533.38
102kW, 180A max	T *	S801T18N3S	£2,239.51
136kW, 240A max	T *	S801T24N3S	£2,378.50
172kW, 304A max	T *	S801T30N3S	£2,693.71
204kW, 360A max	V *	S801V36N3S	£3,347.65
238kW, 420A max	V *	S801V42N3S	£3,516.08
283kW, 500A max	V *	S801V50N3S	£3,960.84
368kW, 650A max	V *	S801V65N3S	£4,777.22
407kW, 720A max	V *	S801V72N3S	£5,909.63
481kW, 850A max	V *	S801V85N3S	£7,758.04

Extended ramp time units, 0.5 to 360s

Rating at 400V	Frame	Catalogue numbers	Price
21kW, 37A max	N	S801N37N3L	£1,175.00
37kW, 66A max	N	S801N66N3L	£1,265.91
59kW, 105A max	R	S801R10N3L	£1,517.66
76kW, 135A max	R	S801R13N3L	£1,708.38
102kW, 180A max	T *	S801T18N3L	£2,414.51
136kW, 240A max	T *	S801T24N3L	£2,553.50
172kW, 304A max	T *	S801T30N3L	£2,868.71
204kW, 360A max	V *	S801V36N3L	£3,522.65
238kW, 420A max	V *	S801V42N3L	£3,691.08
283kW, 500A max	V *	S801V50N3L	£4,135.84
368kW, 650A max	V *	S801V65N3L	£4,952.22
407kW, 720A max	V *	S801V72N3L	£6,084.63
481kW, 850A max	V *	S801V85N3L	£7,933.04

Pump control option, pump stop, 0 to 60s

Rating at 400V	Frame	Catalogue numbers	Price
21kW, 37A max	N	S801N37P3S	£1,250.00
37kW, 66A max	N	S801N66P3S	£1,340.91
59kW, 105A max	R	S801R10P3S	£1,592.66
76kW, 135A max	R	S801R13P3S	£1,783.38
102kW, 180A max	T *	S801T18P3S	£2,489.51
136kW, 240A max	T *	S801T24P3S	£2,628.50
172kW, 304A max	T *	S801T30P3S	£2,943.71
204kW, 360A max	V *	S801V36P3S	£3,597.65
238kW, 420A max	V *	S801V42P3S	£3,766.08
283kW, 500A max	V *	S801V50P3S	£4,210.84
368kW, 650A max	V *	S801V65P3S	£5,027.22
407kW, 720A max	V *	S801V72P3S	£6,159.63
481kW, 850A max	V *	S801V85P3S	£8,008.04

Catalogue numbers

Soft Start Controller - S801

Standard ramp time units,
0.5 to 180s with edge sensitive control*

Rating at 400V	Frame	Catalogue numbers	Price
21kW, 37A max	N	S801N37N3B	£1,000.00
37kW, 66A max	N	S801N66N3B	£1,090.91
59kW, 105A max	R	S801R10N3B	£1,342.66
76kW, 135A max	R	S801R13N3B	£1,533.38
102kW, 180A max	T *	S801T18N3B	£2,239.51
136kW, 240A max	T *	S801T24N3B	£2,378.50
172kW, 304A max	T *	S801T30N3B	£2,693.71
204kW, 360A max	V *	S801V36N3B	£3,347.65
238kW, 420A max	V *	S801V42N3B	£3,516.08
283kW, 500A max	V *	S801V50N3B	£3,960.84
368kW, 650A max	V *	S801V65N3B	£4,777.22
407kW, 720A max	V *	S801V72N3B	£5,909.63
481kW, 850A max	V *	S801V85N3B	£7,758.04

Soft Start Controller - S801

Standard ramp time units, 0.5 to 180s for 690V
applications

Rating at 400V	Frame	Catalogue numbers	Price
102kW, 180A max	T *	S801T18V3S	£2,239.51
136kW, 240A max	T *	S801T24V3S	£2,378.50
172kW, 304A max	T *	S801T30V3S	£2,693.71
204kW, 360A max	V *	S801V36V3S	£3,347.65
238kW, 420A max	V *	S801V42V3S	£3,516.08
283kW, 500A max	V *	S801V50V3S	£3,960.84
368kW, 650A max	V *	S801V65V3S	£4,977.22
407kW, 720A max	V *	S801V72V3S	£6,150.63
481kW, 850A max	V *	S801V85V3S	£7,950.04

Soft Start Controller - S801

Standard ramp time units,
0.5 to 180s for delta control*

Rating at 400V	Frame	Catalogue numbers	Price
64A max	N	S801N37N3D	£1,000.00
114A max	N	S801N66N3D	£1,090.91
182A max	R	S801R10N3D	£1,342.66
234A max	R	S801R13N3D	£1,533.38
312A max	T *	S801T18N3D	£2,239.51
416A max	T *	S801T24N3D	£2,378.50
527A max	T *	S801T30N3D	£2,693.71
624A max	V *	S801V36N3D	£3,347.65
727A max	V *	S801V42N3D	£3,516.08
866A max	V *	S801V50N3D	£3,960.84
1126A max	V *	S801V65N3D	£4,777.22
1247A max	V *	S801V72N3D	£5,909.63
1472A max	V *	S801V85N3D	£7,758.04

* Notes

Edge Sensitive control units enable simple control with a line isolation contactor

Delta Control requires a 6 lead motor

Accessories

Surge suppressor

Description	Catalogue numbers	Price
600V MOV for 65 & 110mm units	EMS38	£114.24
600V MOV for 200 & 290mm units	EMS39	£159.60

Lug kits for S801 starters

Description	Catalogue numbers	Price
T frame		
1 cable, 107 - 250mm ²	EML23	£97.47
2 cables, 107 - 250mm ²	EML24	£107.37
1 cable, 67 - 150mm ²	EML25	£97.47
2 cables, 67 - 150mm ²	EML26	£107.37
V frame		
2 cables, 107 - 250mm ²	EML28	£123.29
4 cables, 107 - 250mm ²	EML30	£139.90
6 cables, 107 - 250mm ²	EML32	£203.68
4 cables, 67 - 150mm ²	EML33	£139.90

Power supply

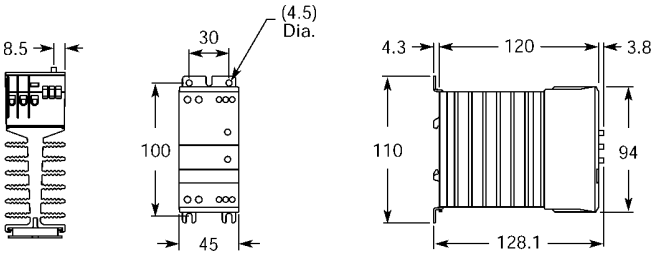
Description	Catalogue numbers	Price
Input voltage		
110 - 120Vac	PSS55A	£103.94
220 - 240Vac	PSS55B	£103.94
380 - 480Vac	PSS55C	£113.49
DIN rail mounting kit (35mm)	PSSDIN	£9.64

Mounting plates for S801 starters

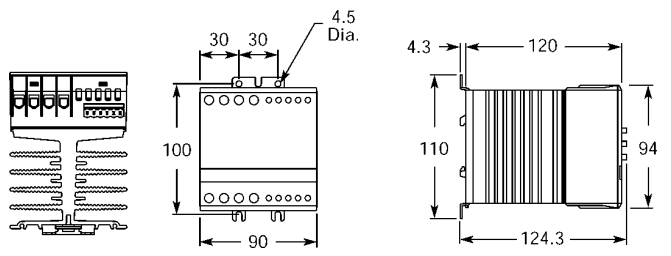
Description	Catalogue numbers	Price
Mounting plate		
N frame	EMM13N	£56.00
R frame	EMM13R	£60.00
T frame	EMM13T	£70.00
V frame	EMM13V	£80.00
Vibration mounting plate		
N frame	EMM14N	£64.00
R frame	EMM14R	£70.00
T frame	EMM14T	£80.00
V frame	EMM14V	£90.00

Dimensions (mm)

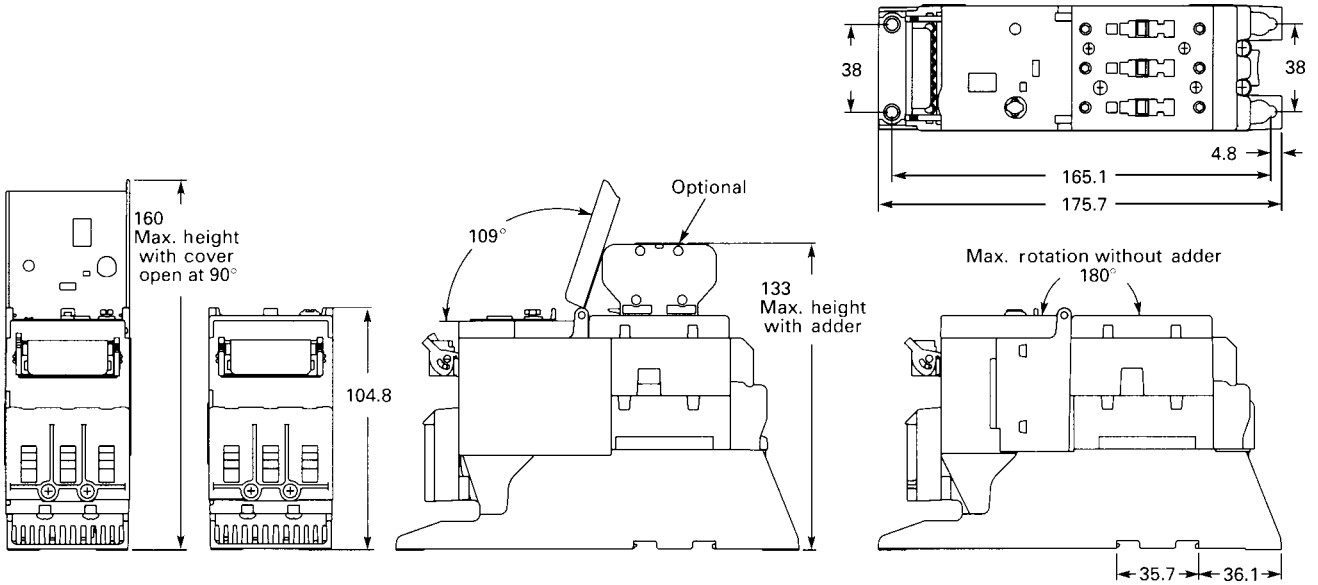
S701 – 45mm wide



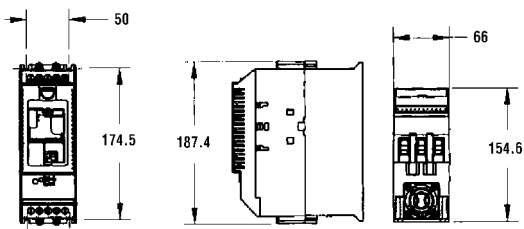
S701 – 90mm wide



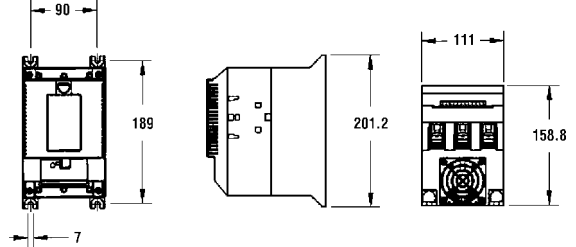
S751



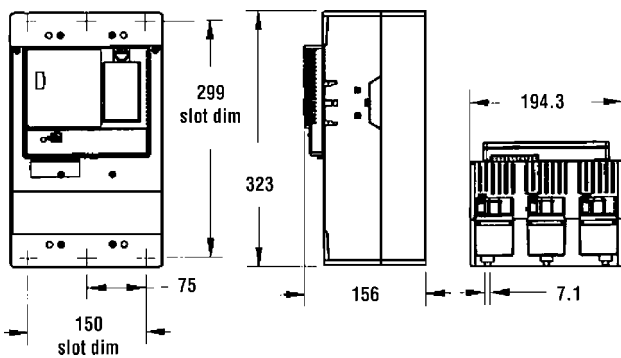
S801 – N frame



S801 – R frame



S801 – T frame



S801 – V frame

