



DS201 - DS202C

New residual current circuit-breakers
with overcurrent protection (RCBOs)

New residual current circuit-breakers with overcurrent protection (RCBOs) - DS201 - DS202C 1P+N and 2P in two modules. Complete protection

To meet the demand for devices capable of realising complete protection of circuits modern plants, ABB expands the offering of its System pro *M* compact® with new residual current circuit-breakers with overcurrent protection, both available in two modules DS201 (1 phase + neutral) and DS202C (2 phases).

The new residual current circuit-breakers with overcurrent protection are a technologically advanced and comprehensive range, as concerns size, tripping characteristics, breaking capacity and accessories. The new RCBOs are integrated in the System pro *M* compact® range, with the identical profile that lends a coordinated and streamlined look to the installation.



Intelligent innovation

Safe and integrated technological products



Like all electromechanical residual current devices, these new products ensure protection against earth fault currents, both when the power supply of the neutral wire is accidentally interrupted and when, in the 2 phase version, only one phase is present.

To make wiring operations easier, the bidirectional cylinder-lift terminals based on innovative technology provide connection, through cables (25 mm² flexible) or busbars.

The DS201 and DS202C series are designed to be easily installed on a 35 mm symmetrical DIN rail, in compliance with the EN 60715 standard.



DS201 - The art of combining Complete protection in a single device



The DS201 series replaces the actual range of 1P+N RCBOs and combines protection against overcurrent and earth fault current in a single device. The range is available in three versions: DS201 L (with 4,5 kA breaking capacity), DS201 (with 6 kA breaking capacity) and DS201 M (with 10 kA breaking capacity), in compliance with the IEC/EN 61009 standard.

The new range in two modules has 2 different characteristics (B and C), with rated current up to 40 A and meets all the protection requirements of single-phase circuits. K characteristic is also available in the DS201 version (6 kA). The rated sensitivity vary according to version: 10, 30, 100, 300, and 1000 mA.

In DS201 and DS201 M the breaking capacity of the protected pole is 6 kA, allowing it to be used in installations where, in case of earth fault, the fault current might reach this value (e.g. in TN network system).

The DS201 offering also includes the APR version, with higher protection against unwanted tripping due to surge generated, for instance, by lightning, operations on the distribution networks, disturbances, etc.

DS202C - The ability of compacting Maximum protection in only 2 modules

The DS202C series combines protection against earth-fault current and overcurrent in a single device, guaranteeing high breaking capacities (6 kA with DS202C and 10 kA with DS202C M), in compliance with the IEC/EN 61009 standard. With just two modules the DS202C range meets all protection needs, offering choice between 2 different characteristics (B and C) and, for each of these, among 7 rated currents (6, 10, 13, 16, 20, 25, and 32 A). B characteristic allows the protection of very long lines, such as those of the single-phase terminal circuits.

All the DS202C devices are type A, for alternating current and/or pulsating current with DC components, suitable for installations with loads manufactured with electronic devices for rectifying current or choking of voltage and current (speed, time, light intensity, etc.). The DS202C offering also includes the APR version, with higher protection against unwanted trippings due to surge generated, for instance, by lightning, operations on the distribution networks, disturbances, etc.



Focus on excellence

Details that make the difference

All the devices of the DS201 and DS202C series have been tested up to $-25\text{ }^{\circ}\text{C}$, as indicated by the symbol marked on the front side. On the front of the device the marking also carries the 15-digit ABB code to identify the product after installation, in case of replacement and for any other needs.

To ensure readability over time, the codes are laser-printed on the devices. This also makes them immediately recognizable after they have been removed from their packing.



Common profile for the whole range and easier installation

The new residual current circuit-breakers with overcurrent protection, due to their shape and dimensions, are perfectly integrated with the MCBs of the System pro *M compact*[®] family, which they share the wide range of accessories available and the terminal positions with, allowing considerable time savings in wiring operations.

Clear indications to identify and react to any event

The signalling of the internal contact position allows an exact information of the circuit-breaker status: “green”, open contacts; “red”, closed contacts, independently of the toggle position. Any earth fault can be immediately identified through the blue indicator, that signals the differential tripping and which cannot be activated in case of manual operation on the toggle.

This prevents any misinterpretations of the device and system status.



Focus on excellence

Details that make the difference



Label carrier for clear and reliable identification

Increasingly complex systems require easier identification of the sections corresponding to each single circuit-breaker installed in the switchboard.

With the practical label carrier fitted in the new circuit-breakers you can give maximum visibility to the information relating to the protected loads.



Standardized accessories for the whole range

The DS201 and DS202C series share the wide range of accessories available, such as signalling contacts, auxiliary contacts, shunt trips, undervoltage releases, plug-in base and motor device, with the whole range of System pro *M* compact®.

Small size for great usability

The DS202C series (the letter C stands for “compact”) has two poles protected in only 2 modules and breaking capacity (Icn) up to 10 kA. The new range can meet every market requirements for this kind of devices, reducing the space needed in the switchboards.

DS201 - DS202C

Only quality stands out

New Rfid technology: authenticity of ABB products

A project that supports the safety and quality of the entire ABB product range.

A special adhesive label on the lateral side of the new DS201/DS202C residual current circuit-breakers with overcurrent protection is the first example of Rfid technology applied to ABB products.



Authenticity and uniqueness

Each DS201/DS202C is equipped with an Rfid tag containing a unique serial number assigned to ABB according to the standard ISO/IEC FCD 15693-3 in order to authenticate the product. Thanks to this unique serial number, ABB can easily identify counterfeited products and verify the authenticity of each single device.

Integration

The memory of Rfid tags enables to store in the label information that can be used along the entire distribution chain.

Retrievability

Thanks to information stored in the memory of Rfid tags, ABB can quickly and easily retrieve its products.



A label that certifies ABB quality and safety

Technical data

1P+N DS201 RCBO

1P+N DS201 RCBO	
Standard	IEC/EN 61009
Nr. of poles	1P+N
Rated voltage Un	230V
Working voltage range for test button	110...253 V
Rated frequency	50/60Hz
Rated residual breaking capacity I Δ m	4,5 kA (DS201 L), 6 kA (DS201 and DS201 M)
Rated breaking capacity according to IEC/EN 60947-2 @230 V AC - ultimate Icu	6 kA (DS201 L), 10 kA (DS201 and DS201 M)
Rated breaking capacity according to IEC/EN 60947-2 @230 V AC - service Ics	4,5 kA (DS201 L), 6 kA (DS201), 7,5 kA (DS201 M)
Rated impulse withstand voltage (1,2/50) Uimp	4kV
Dielectric test voltage at ind. freq. for 1 min.	2,5kV
Surge current resistance (wave 8/20)	250A (3000A APR versions)
Top Terminals	failsafe bi-directional cylinder-lift terminal
Bottom Terminals	failsafe bi-directional cylinder-lift terminal
Terminals size top/bottom for cable	25/25 mm ²
Terminals size top/bottom for busbar	10/10 mm ²
Tightening torque top/bottom	2,8 Nm
Flag indications	Differential trip indicator (blue) Contact position indicator (green/red)
Electrical life	10000
Mechanical life	20000
Protection degree	IP4X (housing) IP2X (terminals)
Ambient temperature	-25...+55 °C
Storage temperature	-40...+70 °C
Mounting	on DIN rail 60715 (35 mm)
Dimensions (HxDxW)	85x69x35 mm

DS201 L - 4,5 kA

DS201 L - C characteristic

Icn [kA]	4,5	4,5	4,5
Type	AC	A	APR
In [A]	6...32	6...32	6...32
I Δ n [A]	0,03-0,3	0,01 ⁽⁴⁾ -0,03-0,3	0,03

DS201 - 6 kA

DS201 - B characteristic

Icn [kA]	6	6
Type	AC	A
In [A]	6...40	6...40
I Δ n [A]	0,03-0,1-0,3	0,01 ⁽¹⁾ -0,03-0,1-0,3

DS201 - 6 kA

DS201 - C characteristic

Icn [kA]	6	6	6
Type	AC	A	APR
In [A]	6...40	2...40	6...40
I Δ n [A]	0,03-0,1-0,3-1	0,01 ⁽¹⁾ -0,03-0,1 ⁽²⁾ -0,3	0,03-0,1-0,3

DS201 - 6 kA

DS201 - K characteristic

Icn [kA]	6
Type	A
In [A]	1...40
I Δ n [A]	0,01 ⁽¹⁾ -0,03-0,3

DS201 M - 10 kA

DS201 M - B characteristic

Icn [kA]	10	10
Type	AC	A
In [A]	6...40	6...40
I Δ n [A]	0,03-0,1-0,3	0,01 ⁽³⁾ -0,03-0,1-0,3

DS201 M - 10 kA

DS201 M - C characteristic

Icn [kA]	10	10	10
Type	AC	A	APR
In [A]	6...40	4...40	6...40
I Δ n [A]	0,03-0,1-0,3	0,01 ⁽³⁾ -0,03-0,1 ⁽²⁾ -0,3 ⁽²⁾	0,03-0,1-0,3

⁽¹⁾ Available only in 10-13-16A rated current.
⁽²⁾ Available with rated current from 6A.

⁽³⁾ Available only in 10-16A rated current.
⁽⁴⁾ Available only in 6-10-16A rated current.

Technical data

2P DS202C RCBO

2P DS202C RCBO	
Standard	IEC/EN 61009
Nr. of poles	2P
Rated voltage Un	230V
Working voltage range for test button	110...253 V
Rated frequency	50/60Hz
Rated residual breaking capacity I Δ n	6 kA
Rated breaking capacity according to IEC/EN 60947-2 @230 V AC - ultimate Icu	10 kA (DS202C and DS202C M)
Rated breaking capacity according to IEC/EN 60947-2 @230 V AC - service Ics	6 kA (DS202C), 7,5 kA (DS202C M)
Rated impulse withstand voltage (1,2/50) Uimp	4kV
Dielectric test voltage at ind. freq. for 1 min.	2,5kV
Surge current resistance (wave 8/20)	250A (3000A APR versions)
Top Terminals	failsafe bi-directional cylinder-lift terminal
Bottom Terminals	failsafe bi-directional cylinder-lift terminal
Terminals size top/bottom for cable	25/25 mm ²
Terminals size top/bottom for busbar	10/10 mm ²
Tightening torque top/bottom	2,8 Nm
Flag indications	Differential trip indicator (blue) Contact position indicator (green/red)
Electrical life	10000
Mechanical life	20000
Protection degree	IP4X (housing) IP2X (terminals)
Ambient temperature	-25...+55 °C
Storage temperature	-40...+70 °C
Mounting	on DIN rail 60715 (35 mm)
Dimensions (HxDxW)	85x69x35 mm

DS202C - 6 kA

DS202C - B characteristic

Icn [kA]	6
Type	A
In [A]	6...32
I Δ n [A]	0,03-0,3

DS202C - 6 kA

DS202C - C characteristic

Icn [kA]	6
Type	A
In [A]	6...32
I Δ n [A]	0,03-0,3

DS202C M - 10 kA

DS202C M - B characteristic

Icn [kA]	10	10
Type	A	APR
In [A]	6...32	6...32
I Δ n [A]	0,01 ⁽¹⁾ -0,03-0,3	0,03-0,3

⁽¹⁾ Available only in 10-13-16A rated current.

DS202C M - 10 kA

DS202C M - C characteristic

Icn [kA]	10	10
Type	A	APR
In [A]	6...32	6...32
I Δ n [A]	0,01 ⁽⁶⁾ -0,03-0,3	0,03

⁽⁶⁾ Available only in 10-16A rated current.

DS201 L

Order codes



RCBO 1P+N, C characteristic, Icn=4,5 kA (acc. to IEC/EN 61009)

Type AC

Number of poles	Rated residual current I Δ n mA	Rated current In A	Order details		Bbn 8012542 EAN	Weight 1 piece kg	Pack Unit pc.
			Type code	Order code			
1+N	30	6	DS201 L C6 AC30	2CSR245040R1064	171201	0,23	1/5
		10	DS201 L C10 AC30	2CSR245040R1104	171300	0,23	1/5
		16	DS201 L C16 AC30	2CSR245040R1164	171409	0,23	1/5
		20	DS201 L C20 AC30	2CSR245040R1204	171508	0,23	1/5
		25	DS201 L C25 AC30	2CSR245040R1254	171607	0,23	1/5
		32	DS201 L C32 AC30	2CSR245040R1324	171706	0,23	1/5
	300	6	DS201 L C6 AC300	2CSR245040R3064	171805	0,23	1/5
		10	DS201 L C10 AC300	2CSR245040R3104	171904	0,23	1/5
		16	DS201 L C16 AC300	2CSR245040R3164	172000	0,23	1/5
		20	DS201 L C20 AC300	2CSR245040R3204	172109	0,23	1/5
		25	DS201 L C25 AC300	2CSR245040R3254	172208	0,23	1/5
		32	DS201 L C32 AC300	2CSR245040R3324	172307	0,23	1/5



RCBO 1P+N, C characteristic, Icn=4,5 kA (acc. to IEC/EN 61009)

Type A

Number of poles	Rated residual current I Δ n mA	Rated current In A	Order details		Bbn 8012542 EAN	Weight 1 piece kg	Pack Unit pc.
			Type code	Order code			
1+N	10	6	DS201 L C6 A10	2CSR245140R0064	163404	0,23	1/5
		10	DS201 L C10 A10	2CSR245140R0104	171003	0,23	1/5
		16	DS201 L C16 A10	2CSR245140R0164	171102	0,23	1/5
	30	6	DS201 L C6 A30	2CSR245140R1064	172406	0,23	1/5
		10	DS201 L C10 A30	2CSR245140R1104	172505	0,23	1/5
		16	DS201 L C16 A30	2CSR245140R1164	172604	0,23	1/5
		20	DS201 L C20 A30	2CSR245140R1204	172703	0,23	1/5
		25	DS201 L C25 A30	2CSR245140R1254	173809	0,23	1/5
	300	32	DS201 L C32 A30	2CSR245140R1324	173908	0,23	1/5
		6	DS201 L C6 A300	2CSR245140R3064	174004	0,23	1/5
		10	DS201 L C10 A300	2CSR245140R3104	174103	0,23	1/5
		16	DS201 L C16 A300	2CSR245140R3164	174202	0,23	1/5
		20	DS201 L C20 A300	2CSR245140R3204	174301	0,23	1/5
		25	DS201 L C25 A300	2CSR245140R3254	174707	0,23	1/5
		32	DS201 L C32 A300	2CSR245140R3324	174806	0,23	1/5



RCBO 1P+N, C characteristic, Icn=4,5 kA (acc. to IEC/EN 61009)

Type APR

Number of poles	Rated residual current I Δ n mA	Rated current In A	Order details		Bbn 8012542 EAN	Weight 1 piece kg	Pack Unit pc.
			Type code	Order code			
1+N	30	6	DS201 L C6 APR30	2CSR245440R1064	174905	0,23	1/5
		10	DS201 L C10 APR30	2CSR245440R1104	175001	0,23	1/5
		16	DS201 L C16 APR30	2CSR245440R1164	175100	0,23	1/5
		20	DS201 L C20 APR30	2CSR245440R1204	175209	0,23	1/5
		25	DS201 L C25 APR30	2CSR245440R1254	175605	0,23	1/5
		32	DS201 L C32 APR30	2CSR245440R1324	175704	0,23	1/5

DS201

Order codes



RCBO 1P+N, B characteristic, I _{cn} =6 kA (acc. to IEC/EN 61009)							
Type AC							
Number of poles	Rated residual current I _{Δn} mA	Rated current I _n A	Order details		Bbn 8012542 EAN	Weight 1 piece kg	Pack Unit pc.
			Type code	Order code			
1+N	30	6	DS201 B6 AC30	2CSR255040R1065	279709	0,23	1/5
		10	DS201 B10 AC30	2CSR255040R1105	280309	0,23	1/5
		13	DS201 B13 AC30	2CSR255040R1135	285205	0,23	1/5
		16	DS201 B16 AC30	2CSR255040R1165	285304	0,23	1/5
		20	DS201 B20 AC30	2CSR255040R1205	285403	0,23	1/5
		25	DS201 B25 AC30	2CSR255040R1255	285502	0,23	1/5
		32	DS201 B32 AC30	2CSR255040R1325	285601	0,23	1/5
		40	DS201 B40 AC30	2CSR255040R1405	285700	0,23	1/5
	100	6	DS201 B6 AC100	2CSR255040R2065	285809	0,23	1/5
		10	DS201 B10 AC100	2CSR255040R2105	285908	0,23	1/5
		13	DS201 B13 AC100	2CSR255040R2135	286004	0,23	1/5
		16	DS201 B16 AC100	2CSR255040R2165	286103	0,23	1/5
		20	DS201 B20 AC100	2CSR255040R2205	286202	0,23	1/5
		25	DS201 B25 AC100	2CSR255040R2255	286301	0,23	1/5
		32	DS201 B32 AC100	2CSR255040R2325	286400	0,23	1/5
		40	DS201 B40 AC100	2CSR255040R2405	286509	0,23	1/5
	300	6	DS201 B6 AC300	2CSR255040R3065	286608	0,23	1/5
		10	DS201 B10 AC300	2CSR255040R3105	286707	0,23	1/5
		13	DS201 B13 AC300	2CSR255040R3135	293903	0,23	1/5
		16	DS201 B16 AC300	2CSR255040R3165	294009	0,23	1/5
		20	DS201 B20 AC300	2CSR255040R3205	294108	0,23	1/5
		25	DS201 B25 AC300	2CSR255040R3255	294207	0,23	1/5
		32	DS201 B32 AC300	2CSR255040R3325	294306	0,23	1/5
		40	DS201 B40 AC300	2CSR255040R3405	294405	0,23	1/5

DS201

Order codes



RCBO 1P+N, B characteristic, I_{cn}=6 kA (acc. to IEC/EN 61009)

Type A

Number of poles	Rated residual current I _{Δn} mA	Rated current I _n A	Order details		Bbn 8012542 EAN	Weight 1 piece kg	Pack Unit pc.
			Type code	Order code			
1+N	10	10	DS201 B10 A10	2CSR255140R0105	995708	0,23	1/5
		13	DS201 B13 A10	2CSR255140R0135	995807	0,23	1/5
		16	DS201 B16 A10	2CSR255140R0165	995906	0,23	1/5
	30	6	DS201 B6 A30	2CSR255140R1065	638506	0,23	1/5
		10	DS201 B10 A30	2CSR255140R1105	647805	0,23	1/5
		13	DS201 B13 A30	2CSR255140R1135	655503	0,23	1/5
		16	DS201 B16 A30	2CSR255140R1165	655602	0,23	1/5
		20	DS201 B20 A30	2CSR255140R1205	655701	0,23	1/5
		25	DS201 B25 A30	2CSR255140R1255	766902	0,23	1/5
		32	DS201 B32 A30	2CSR255140R1325	814504	0,23	1/5
	100	40	DS201 B40 A30	2CSR255140R1405	910602	0,23	1/5
		6	DS201 B6 A100	2CSR255140R2065	990307	0,23	1/5
		10	DS201 B10 A100	2CSR255140R2105	990406	0,23	1/5
		13	DS201 B13 A100	2CSR255140R2135	990505	0,23	1/5
		16	DS201 B16 A100	2CSR255140R2165	990604	0,23	1/5
		20	DS201 B20 A100	2CSR255140R2205	990703	0,23	1/5
		25	DS201 B25 A100	2CSR255140R2255	990802	0,23	1/5
	300	32	DS201 B32 A100	2CSR255140R2325	990901	0,23	1/5
		40	DS201 B40 A100	2CSR255140R2405	991007	0,23	1/5
		6	DS201 B6 A300	2CSR255140R3065	991908	0,23	1/5
		10	DS201 B10 A300	2CSR255140R3105	992004	0,23	1/5
		13	DS201 B13 A300	2CSR255140R3135	992103	0,23	1/5
		16	DS201 B16 A300	2CSR255140R3165	992202	0,23	1/5
		20	DS201 B20 A300	2CSR255140R3205	992301	0,23	1/5
25	DS201 B25 A300	2CSR255140R3255	992400	0,23	1/5		
		32	DS201 B32 A300	2CSR255140R3325	992509	0,23	1/5
		40	DS201 B40 A300	2CSR255140R3405	992608	0,23	1/5

DS201

Order codes



RCBO 1P+N, C characteristic, I_{cn}=6 kA (acc. to IEC/EN 61009)

Type AC

Number of poles	Rated residual current I _{Δn} mA	Rated current I _n A	Order details		Bbn 8012542 EAN	Weight 1 piece kg	Pack Unit pc.
			Type code	Order code			
1+N	30	6	DS201 C6 AC30	2CSR255040R1064	294504	0,23	1/5
		10	DS201 C10 AC30	2CSR255040R1104	294603	0,23	1/5
		13	DS201 C13 AC30	2CSR255040R1134	294702	0,23	1/5
		16	DS201 C16 AC30	2CSR255040R1164	294801	0,23	1/5
		20	DS201 C20 AC30	2CSR255040R1204	294900	0,23	1/5
		25	DS201 C25 AC30	2CSR255040R1254	295006	0,23	1/5
		32	DS201 C32 AC30	2CSR255040R1324	296003	0,23	1/5
		40	DS201 C40 AC30	2CSR255040R1404	296102	0,23	1/5
	100	6	DS201 C6 AC100	2CSR255040R2064	296201	0,23	1/5
		10	DS201 C10 AC100	2CSR255040R2104	296409	0,23	1/5
		13	DS201 C13 AC100	2CSR255040R2134	370802	0,23	1/5
		16	DS201 C16 AC100	2CSR255040R2164	370901	0,23	1/5
		20	DS201 C20 AC100	2CSR255040R2204	371601	0,23	1/5
		25	DS201 C25 AC100	2CSR255040R2254	371700	0,23	1/5
		32	DS201 C32 AC100	2CSR255040R2324	371809	0,23	1/5
		40	DS201 C40 AC100	2CSR255040R2404	498100	0,23	1/5
	300	6	DS201 C6 AC300	2CSR255040R3064	498209	0,23	1/5
		10	DS201 C10 AC300	2CSR255040R3104	498308	0,23	1/5
		13	DS201 C13 AC300	2CSR255040R3134	505907	0,23	1/5
		16	DS201 C16 AC300	2CSR255040R3164	506003	0,23	1/5
		20	DS201 C20 AC300	2CSR255040R3204	506102	0,23	1/5
		25	DS201 C25 AC300	2CSR255040R3254	506201	0,23	1/5
		32	DS201 C32 AC300	2CSR255040R3324	618300	0,23	1/5
		40	DS201 C40 AC300	2CSR255040R3404	638407	0,23	1/5
	1000	6	DS201 C6 AC1000	2CSR255040R5064	996606	0,23	1/5
		10	DS201 C10 AC1000	2CSR255040R5104	996705	0,23	1/5
		16	DS201 C16 AC1000	2CSR255040R5164	996804	0,23	1/5
		20	DS201 C20 AC1000	2CSR255040R5204	996903	0,23	1/5
25		DS201 C25 AC1000	2CSR255040R5254	997009	0,23	1/5	
32		DS201 C32 AC1000	2CSR255040R5324	997108	0,23	1/5	
40		DS201 C40 AC1000	2CSR255040R5404	997207	0,23	1/5	

DS201

Order codes



RCBO 1P+N, C characteristic, I_{cn}=6 kA (acc. to IEC/EN 61009)

Type A

Number of poles	Rated residual current I _{Δn} mA	Rated current I _n A	Order details		Bbn 8012542 EAN	Weight 1 piece kg	Pack Unit pc.	
			Type code	Order code				
1+N	10	10	DS201 C10 A10	2CSR255140R0104	996002	0,23	1/5	
		13	DS201 C13 A10	2CSR255140R0134	996101	0,23	1/5	
		16	DS201 C16 A10	2CSR255140R0164	996200	0,23	1/5	
	30	30	2	DS201 C2 A30	2CSR255140R1024	123958	0,23	1/5
			4	DS201 C4 A30	2CSR255140R1044	942306	0,23	1/5
			6	DS201 C6 A30	2CSR255140R1064	942405	0,23	1/5
			8	DS201 C8 A30	2CSR255140R1084	124054	0,23	1/5
			10	DS201 C10 A30	2CSR255140R1104	952503	0,23	1/5
			13	DS201 C13 A30	2CSR255140R1134	976004	0,23	1/5
			16	DS201 C16 A30	2CSR255140R1164	976103	0,23	1/5
			20	DS201 C20 A30	2CSR255140R1204	976202	0,23	1/5
			25	DS201 C25 A30	2CSR255140R1254	976301	0,23	1/5
			32	DS201 C32 A30	2CSR255140R1324	990109	0,23	1/5
	100	100	40	DS201 C40 A30	2CSR255140R1404	990208	0,23	1/5
			6	DS201 C6 A100	2CSR255140R2064	991106	0,23	1/5
			10	DS201 C10 A100	2CSR255140R2104	991205	0,23	1/5
			13	DS201 C13 A100	2CSR255140R2134	991304	0,23	1/5
			16	DS201 C16 A100	2CSR255140R2164	991403	0,23	1/5
			20	DS201 C20 A100	2CSR255140R2204	991502	0,23	1/5
			25	DS201 C25 A100	2CSR255140R2254	991601	0,23	1/5
	300	300	32	DS201 C32 A100	2CSR255140R2324	991700	0,23	1/5
			40	DS201 C40 A100	2CSR255140R2404	991809	0,23	1/5
			2	DS201 C2 A300	2CSR255140R3024	124153	0,23	1/5
			4	DS201 C4 A300	2CSR255140R3044	124252	0,23	1/5
			6	DS201 C6 A300	2CSR255140R3064	992707	0,23	1/5
			8	DS201 C8 A300	2CSR255140R3084	124351	0,23	1/5
			10	DS201 C10 A300	2CSR255140R3104	992806	0,23	1/5
			13	DS201 C13 A300	2CSR255140R3134	992905	0,23	1/5
			16	DS201 C16 A300	2CSR255140R3164	993001	0,23	1/5
			20	DS201 C20 A300	2CSR255140R3204	993100	0,23	1/5
	300	300	25	DS201 C25 A300	2CSR255140R3254	993209	0,23	1/5
			32	DS201 C32 A300	2CSR255140R3324	993308	0,23	1/5
			40	DS201 C40 A300	2CSR255140R3404	993407	0,23	1/5

DS201

Order codes



RCBO 1P+N, C characteristic, I_{cn}=6 kA (acc. to IEC/EN 61009)

Type A (APR) high immunity

Number of poles	Rated residual current I _{Δn} mA	Rated current I _n A	Order details Type code	Order code	Bbn 8012542 EAN	Weight 1 piece kg	Pack Unit pc.	
1+N	30	6	DS201 C6 APR30	2CSR255440R1064	997306	0,23	1/5	
		10	DS201 C10 APR30	2CSR255440R1104	997405	0,23	1/5	
		13	DS201 C13 APR30	2CSR255440R1134	997504	0,23	1/5	
		16	DS201 C16 APR30	2CSR255440R1164	997603	0,23	1/5	
		20	DS201 C20 APR30	2CSR255440R1204	997702	0,23	1/5	
		25	DS201 C25 APR30	2CSR255440R1254	997801	0,23	1/5	
		32	DS201 C32 APR30	2CSR255440R1324	997900	0,23	1/5	
		40	DS201 C40 APR30	2CSR255440R1404	998006	0,23	1/5	
	100	100	6	DS201 C6 APR100	2CSR255440R2064	126454	0,23	1/5
			10	DS201 C10 APR100	2CSR255440R2104	126553	0,23	1/5
			13	DS201 C13 APR100	2CSR255440R2134	126652	0,23	1/5
			16	DS201 C16 APR100	2CSR255440R2164	126751	0,23	1/5
			20	DS201 C20 APR100	2CSR255440R2204	126850	0,23	1/5
			25	DS201 C25 APR100	2CSR255440R2254	126959	0,23	1/5
			32	DS201 C32 APR100	2CSR255440R2324	127055	0,23	1/5
			40	DS201 C40 APR100	2CSR255440R2404	127154	0,23	1/5
	300	300	6	DS201 C6 APR300	2CSR255440R3064	998105	0,23	1/5
			10	DS201 C10 APR300	2CSR255440R3104	998204	0,23	1/5
			13	DS201 C13 APR300	2CSR255440R3134	998303	0,23	1/5
			16	DS201 C16 APR300	2CSR255440R3164	998402	0,23	1/5
			20	DS201 C20 APR300	2CSR255440R3204	998501	0,23	1/5
			25	DS201 C25 APR300	2CSR255440R3254	998600	0,23	1/5
			32	DS201 C32 APR300	2CSR255440R3324	998709	0,23	1/5
			40	DS201 C40 APR300	2CSR255440R3404	998808	0,23	1/5

DS201

Order codes



RCBO 1P+N, K characteristic, I_{cn}=6 kA (acc. to IEC/EN 61009)

Type A

Number of poles	Rated residual current I _{Δn} mA	Rated current I _n A	Order details		Bbn 8012542 EAN	Weight 1 piece kg	Pack Unit pc.
			Type code	Order code			
1+N	10	10	DS201 K10 A10	2CSR255140R0107	996309	0,23	1/5
		13	DS201 K13 A10	2CSR255140R0137	996408	0,23	1/5
		16	DS201 K16 A10	2CSR255140R0167	996507	0,23	1/5
	30	1	DS201 K1 A30	2CSR255140R1017	993506	0,23	1/5
		2	DS201 K2 A30	2CSR255140R1027	993605	0,23	1/5
		4	DS201 K4 A30	2CSR255140R1047	993704	0,23	1/5
		6	DS201 K6 A30	2CSR255140R1067	993803	0,23	1/5
		8	DS201 K8 A30	2CSR255140R1087	123750	0,23	1/5
		10	DS201 K10 A30	2CSR255140R1107	993902	0,23	1/5
		13	DS201 K13 A30	2CSR255140R1137	994008	0,23	1/5
		16	DS201 K16 A30	2CSR255140R1167	994107	0,23	1/5
		20	DS201 K20 A30	2CSR255140R1207	994206	0,23	1/5
		25	DS201 K25 A30	2CSR255140R1257	994305	0,23	1/5
		32	DS201 K32 A30	2CSR255140R1327	994404	0,23	1/5
		40	DS201 K40 A30	2CSR255140R1407	994503	0,23	1/5
	300	1	DS201 K1 A300	2CSR255140R3017	994602	0,23	1/5
		2	DS201 K2 A300	2CSR255140R3027	994701	0,23	1/5
		4	DS201 K4 A300	2CSR255140R3047	994800	0,23	1/5
		6	DS201 K6 A300	2CSR255140R3067	994909	0,23	1/5
		8	DS201 K8 A300	2CSR255140R3087	123859	0,23	1/5
		10	DS201 K10 A300	2CSR255140R3107	995005	0,23	1/5
		13	DS201 K13 A300	2CSR255140R3137	995104	0,23	1/5
		16	DS201 K16 A300	2CSR255140R3167	995203	0,23	1/5
		20	DS201 K20 A300	2CSR255140R3207	995302	0,23	1/5
		25	DS201 K25 A300	2CSR255140R3257	995401	0,23	1/5
		32	DS201 K32 A300	2CSR255140R3327	995500	0,23	1/5
		40	DS201 K40 A300	2CSR255140R3407	995609	0,23	1/5

DS201 M

Order codes



RCBO 1P+N, B characteristic, Icn=10 kA (acc. to IEC/EN 61009)

Type AC

Number of poles	Rated residual current $I_{\Delta n}$ mA	Rated current In A	Order details Type code	Order code	Bbn 8012542 EAN	Weight 1 piece kg	Pack Unit pc.
1+N	30	6	DS201 M B6 AC30	2CSR275040R1065	998907	0,23	1/5
		10	DS201 M B10 AC30	2CSR275040R1105	999003	0,23	1/5
		13	DS201 M B13 AC30	2CSR275040R1135	999102	0,23	1/5
		16	DS201 M B16 AC30	2CSR275040R1165	999201	0,23	1/5
		20	DS201 M B20 AC30	2CSR275040R1205	999300	0,23	1/5
		25	DS201 M B25 AC30	2CSR275040R1255	999409	0,23	1/5
		32	DS201 M B32 AC30	2CSR275040R1325	999508	0,23	1/5
		40	DS201 M B40 AC30	2CSR275040R1405	999607	0,23	1/5
	100	6	DS201 M B6 AC100	2CSR275040R2065	106159	0,23	1/5
		10	DS201 M B10 AC100	2CSR275040R2105	106258	0,23	1/5
		13	DS201 M B13 AC100	2CSR275040R2135	106357	0,23	1/5
		16	DS201 M B16 AC100	2CSR275040R2165	106456	0,23	1/5
		20	DS201 M B20 AC100	2CSR275040R2205	106555	0,23	1/5
		25	DS201 M B25 AC100	2CSR275040R2255	106654	0,23	1/5
		32	DS201 M B32 AC100	2CSR275040R2325	106753	0,23	1/5
		40	DS201 M B40 AC100	2CSR275040R2405	106852	0,23	1/5
	300	6	DS201 M B6 AC300	2CSR275040R3065	107750	0,23	1/5
		10	DS201 M B10 AC300	2CSR275040R3105	107859	0,23	1/5
		13	DS201 M B13 AC300	2CSR275040R3135	107958	0,23	1/5
		16	DS201 M B16 AC300	2CSR275040R3165	108054	0,23	1/5
		20	DS201 M B20 AC300	2CSR275040R3205	108153	0,23	1/5
		25	DS201 M B25 AC300	2CSR275040R3255	108252	0,23	1/5
		32	DS201 M B32 AC300	2CSR275040R3325	108351	0,23	1/5
		40	DS201 M B40 AC300	2CSR275040R3405	108450	0,23	1/5

DS201 M

Order codes



RCBO 1P+N, B characteristic, I_{cn}=10 kA (acc. to IEC/EN 61009)

Type A

Number of poles	Rated residual current I _{Δn} mA	Rated current I _n A	Order details		Bbn 8012542 EAN	Weight 1 piece kg	Pack Unit pc.
			Type code	Order code			
1+N	10	10	DS201 M B10 A10	2CSR275140R0105	124450	0,23	1/5
		16	DS201 M B16 A10	2CSR275140R0165	124559	0,23	1/5
	30	6	DS201 M B6 A30	2CSR275140R1065	109358	0,23	1/5
		10	DS201 M B10 A30	2CSR275140R1105	109457	0,23	1/5
		13	DS201 M B13 A30	2CSR275140R1135	109556	0,23	1/5
		16	DS201 M B16 A30	2CSR275140R1165	109655	0,23	1/5
		20	DS201 M B20 A30	2CSR275140R1205	109754	0,23	1/5
		25	DS201 M B25 A30	2CSR275140R1255	109853	0,23	1/5
		32	DS201 M B32 A30	2CSR275140R1325	109952	0,23	1/5
		40	DS201 M B40 A30	2CSR275140R1405	110057	0,23	1/5
	100	6	DS201 M B6 A100	2CSR275140R2065	111054	0,23	1/5
		10	DS201 M B10 A100	2CSR275140R2105	111153	0,23	1/5
		13	DS201 M B13 A100	2CSR275140R2135	111252	0,23	1/5
		16	DS201 M B16 A100	2CSR275140R2165	111351	0,23	1/5
		20	DS201 M B20 A100	2CSR275140R2205	111450	0,23	1/5
		25	DS201 M B25 A100	2CSR275140R2255	111559	0,23	1/5
		32	DS201 M B32 A100	2CSR275140R2325	111658	0,23	1/5
		40	DS201 M B40 A100	2CSR275140R2405	111757	0,23	1/5
	300	6	DS201 M B6 A300	2CSR275140R3065	112556	0,23	1/5
		10	DS201 M B10 A300	2CSR275140R3105	112655	0,23	1/5
		13	DS201 M B13 A300	2CSR275140R3135	112754	0,23	1/5
		16	DS201 M B16 A300	2CSR275140R3165	112853	0,23	1/5
		20	DS201 M B20 A300	2CSR275140R3205	112952	0,23	1/5
		25	DS201 M B25 A300	2CSR275140R3255	113058	0,23	1/5
		32	DS201 M B32 A300	2CSR275140R3325	113157	0,23	1/5
		40	DS201 M B40 A300	2CSR275140R3405	113256	0,23	1/5

DS201 M

Order codes



RCBO 1P+N, C characteristic, I_{cn}=10 kA (acc. to IEC/EN 61009)

Type AC

Number of poles	Rated residual current I _{Δn} mA	Rated current I _n A	Order details		Bbn 8012542 EAN	Weight 1 piece kg	Pack Unit pc.
			Type code	Order code			
1+N	30	6	DS201 M C6 AC30	2CSR275040R1064	999706	0,23	1/5
		10	DS201 M C10 AC30	2CSR275040R1104	999805	0,23	1/5
		13	DS201 M C13 AC30	2CSR275040R1134	999904	0,23	1/5
		16	DS201 M C16 AC30	2CSR275040R1164	105657	0,23	1/5
		20	DS201 M C20 AC30	2CSR275040R1204	105756	0,23	1/5
		25	DS201 M C25 AC30	2CSR275040R1254	105855	0,23	1/5
		32	DS201 M C32 AC30	2CSR275040R1324	105954	0,23	1/5
		40	DS201 M C40 AC30	2CSR275040R1404	106050	0,23	1/5
	100	6	DS201 M C6 AC100	2CSR275040R2064	106951	0,23	1/5
		10	DS201 M C10 AC100	2CSR275040R2104	107057	0,23	1/5
		13	DS201 M C13 AC100	2CSR275040R2134	107156	0,23	1/5
		16	DS201 M C16 AC100	2CSR275040R2164	107255	0,23	1/5
		20	DS201 M C20 AC100	2CSR275040R2204	107354	0,23	1/5
		25	DS201 M C25 AC100	2CSR275040R2254	107453	0,23	1/5
		32	DS201 M C32 AC100	2CSR275040R2324	107552	0,23	1/5
		40	DS201 M C40 AC100	2CSR275040R2404	107651	0,23	1/5
	300	6	DS201 M C6 AC300	2CSR275040R3064	108559	0,23	1/5
		10	DS201 M C10 AC300	2CSR275040R3104	108658	0,23	1/5
		13	DS201 M C13 AC300	2CSR275040R3134	108757	0,23	1/5
		16	DS201 M C16 AC300	2CSR275040R3164	108856	0,23	1/5
		20	DS201 M C20 AC300	2CSR275040R3204	108955	0,23	1/5
		25	DS201 M C25 AC300	2CSR275040R3254	109051	0,23	1/5
		32	DS201 M C32 AC300	2CSR275040R3324	109150	0,23	1/5
		40	DS201 M C40 AC300	2CSR275040R3404	109259	0,23	1/5

DS201 M

Order codes



RCBO 1P+N, C characteristic, Icn=10 kA (acc. to IEC/EN 61009)

Type A

Number of poles	Rated residual current I Δ n mA	Rated current In A	Order details		Bbn 8012542 EAN	Weight 1 piece kg	Pack Unit pc.	
			Type code	Order code				
1+N	10	10	DS201 M C10 A10	2CSR275140R0104	124658	0,23	1/5	
		16	DS201 M C16 A10	2CSR275140R0164	124757	0,23	1/5	
	30	4	DS201 M C4 A30	2CSR275140R1044	110156	0,23	1/5	
		6	DS201 M C6 A30	2CSR275140R1064	110255	0,23	1/5	
		10	DS201 M C10 A30	2CSR275140R1104	110354	0,23	1/5	
		13	DS201 M C13 A30	2CSR275140R1134	110453	0,23	1/5	
		16	DS201 M C16 A30	2CSR275140R1164	110552	0,23	1/5	
		20	DS201 M C20 A30	2CSR275140R1204	110651	0,23	1/5	
		25	DS201 M C25 A30	2CSR275140R1254	110750	0,23	1/5	
		32	DS201 M C32 A30	2CSR275140R1324	110859	0,23	1/5	
	40	DS201 M C40 A30	2CSR275140R1404	110958	0,23	1/5		
	100	6	DS201 M C6 A100	2CSR275140R2064	111856	0,23	1/5	
		10	DS201 M C10 A100	2CSR275140R2104	111955	0,23	1/5	
		16	DS201 M C16 A100	2CSR275140R2164	112051	0,23	1/5	
		20	DS201 M C20 A100	2CSR275140R2204	112150	0,23	1/5	
		25	DS201 M C25 A100	2CSR275140R2254	112259	0,23	1/5	
		32	DS201 M C32 A100	2CSR275140R2324	112358	0,23	1/5	
	300	40	DS201 M C40 A100	2CSR275140R2404	112457	0,23	1/5	
		6	DS201 M C6 A300	2CSR275140R3064	113355	0,23	1/5	
		10	DS201 M C10 A300	2CSR275140R3104	113454	0,23	1/5	
		13	DS201 M C13 A300	2CSR275140R3134	113553	0,23	1/5	
		16	DS201 M C16 A300	2CSR275140R3164	113652	0,23	1/5	
		20	DS201 M C20 A300	2CSR275140R3204	113751	0,23	1/5	
		25	DS201 M C25 A300	2CSR275140R3254	113850	0,23	1/5	
	32	DS201 M C32 A300	2CSR275140R3324	113959	0,23	1/5		
			40	DS201 M C40 A300	2CSR275140R3404	114055	0,23	1/5

DS201 M

Order codes



RCBO 1P+N, C characteristic, I_{cn}=10 kA (acc. to IEC/EN 61009)

Type A (APR) high immunity

Number of poles	Rated residual current I _{Δn} mA	Rated current In A	Order details		Bbn 8012542 EAN	Weight 1 piece kg	Pack Unit pc.
			Type code	Order code			
1+N	30	6	DS201 M C6 APR30	2CSR275440R1064	114154	0,23	1/5
		10	DS201 M C10 APR30	2CSR275440R1104	114253	0,23	1/5
		13	DS201 M C13 APR30	2CSR275440R1134	114352	0,23	1/5
		16	DS201 M C16 APR30	2CSR275440R1164	114451	0,23	1/5
		20	DS201 M C20 APR30	2CSR275440R1204	114550	0,23	1/5
		25	DS201 M C25 APR30	2CSR275440R1254	114659	0,23	1/5
		32	DS201 M C32 APR30	2CSR275440R1324	114758	0,23	1/5
		40	DS201 M C40 APR30	2CSR275440R1404	114857	0,23	1/5
	100	6	DS201 M C6 APR100	2CSR275440R2064	127253	0,23	1/5
		10	DS201 M C10 APR100	2CSR275440R2104	127352	0,23	1/5
		13	DS201 M C13 APR100	2CSR275440R2134	127451	0,23	1/5
		16	DS201 M C16 APR100	2CSR275440R2164	127550	0,23	1/5
		20	DS201 M C20 APR100	2CSR275440R2204	127659	0,23	1/5
		25	DS201 M C25 APR100	2CSR275440R2254	127758	0,23	1/5
		32	DS201 M C32 APR100	2CSR275440R2324	127857	0,23	1/5
		40	DS201 M C40 APR100	2CSR275440R2404	127956	0,23	1/5
	300	6	DS201 M C6 APR300	2CSR275440R3064	114956	0,23	1/5
		10	DS201 M C10 APR300	2CSR275440R3104	115052	0,23	1/5
		13	DS201 M C13 APR300	2CSR275440R3134	115151	0,23	1/5
		16	DS201 M C16 APR300	2CSR275440R3164	115250	0,23	1/5
		20	DS201 M C20 APR300	2CSR275440R3204	115359	0,23	1/5
		25	DS201 M C25 APR300	2CSR275440R3254	115458	0,23	1/5
		32	DS201 M C32 APR300	2CSR275440R3324	115557	0,23	1/5
		40	DS201 M C40 APR300	2CSR275440R3404	115656	0,23	1/5

DS202C

Order codes



RCBO 2P, B characteristic, I_{cn}=6 kA (acc. to IEC/EN 61009)

Type A

Number of poles	Rated residual current I _{Δn} mA	Rated current I _n A	Order details		Bbn 8012542 EAN	Weight 1 piece kg	Pack Unit pc.
			Type code	Order code			
2	30	6	DS202C B6 A30	2CSR252140R1065	132257	0,23	1/5
		10	DS202C B10 A30	2CSR252140R1105	132356	0,23	1/5
		13	DS202C B13 A30	2CSR252140R1135	132455	0,23	1/5
		16	DS202C B16 A30	2CSR252140R1165	132554	0,23	1/5
		20	DS202C B20 A30	2CSR252140R1205	132653	0,23	1/5
		25	DS202C B25 A30	2CSR252140R1255	132752	0,23	1/5
		32	DS202C B32 A30	2CSR252140R1325	132851	0,23	1/5
	300	6	DS202C B6 A300	2CSR252140R3065	132950	0,23	1/5
		10	DS202C B10 A300	2CSR252140R3105	133056	0,23	1/5
		13	DS202C B13 A300	2CSR252140R3135	133155	0,23	1/5
		16	DS202C B16 A300	2CSR252140R3165	133254	0,23	1/5
		20	DS202C B20 A300	2CSR252140R3205	133353	0,23	1/5
		25	DS202C B25 A300	2CSR252140R3255	133452	0,23	1/5
		32	DS202C B32 A300	2CSR252140R3325	133551	0,23	1/5



RCBO 2P, C characteristic, I_{cn}=6 kA (acc. to IEC/EN 61009)

Type A

Number of poles	Rated residual current I _{Δn} mA	Rated current I _n A	Order details		Bbn 8012542 EAN	Weight 1 piece kg	Pack Unit pc.
			Type code	Order code			
2	30	6	DS202C C6 A30	2CSR252140R1064	122357	0,23	1/5
		10	DS202C C10 A30	2CSR252140R1104	122456	0,23	1/5
		13	DS202C C13 A30	2CSR252140R1134	122555	0,23	1/5
		16	DS202C C16 A30	2CSR252140R1164	122654	0,23	1/5
		20	DS202C C20 A30	2CSR252140R1204	122753	0,23	1/5
		25	DS202C C25 A30	2CSR252140R1254	122852	0,23	1/5
		32	DS202C C32 A30	2CSR252140R1324	122951	0,23	1/5
	300	6	DS202C C6 A300	2CSR252140R3064	123057	0,23	1/5
		10	DS202C C10 A300	2CSR252140R3104	123156	0,23	1/5
		13	DS202C C13 A300	2CSR252140R3134	123255	0,23	1/5
		16	DS202C C16 A300	2CSR252140R3164	123354	0,23	1/5
		20	DS202C C20 A300	2CSR252140R3204	123453	0,23	1/5
		25	DS202C C25 A300	2CSR252140R3254	123552	0,23	1/5
		32	DS202C C32 A300	2CSR252140R3324	123651	0,23	1/5

DS202C M

Order codes



RCBO 2P, B characteristic, I_{cn}=10 kA (acc. to IEC/EN 61009)

Type A

Number of poles	Rated residual current I _{Δn} mA	Rated current In A	Order details		Bbn 8012542 EAN	Weight 1 piece kg	Pack Unit pc.	
			Type code	Order code				
2	10	10	DS202C M B10 A10	2CSR272140R0105	124856	0,23	1/5	
		13	DS202C M B13 A10	2CSR272140R0135	117759	0,23	1/5	
		16	DS202C M B16 A10	2CSR272140R0165	117858	0,23	1/5	
	30	6	DS202C M B6 A30	2CSR272140R1065	118152	0,23	1/5	
		10	DS202C M B10 A30	2CSR272140R1105	118251	0,23	1/5	
		13	DS202C M B13 A30	2CSR272140R1135	118350	0,23	1/5	
		16	DS202C M B16 A30	2CSR272140R1165	118459	0,23	1/5	
		20	DS202C M B20 A30	2CSR272140R1205	118558	0,23	1/5	
		25	DS202C M B25 A30	2CSR272140R1255	118657	0,23	1/5	
	300	32	DS202C M B32 A30	2CSR272140R1325	118756	0,23	1/5	
		6	DS202C M B6 A300	2CSR272140R3065	119555	0,23	1/5	
		10	DS202C M B10 A300	2CSR272140R3105	119654	0,23	1/5	
		13	DS202C M B13 A300	2CSR272140R3135	119753	0,23	1/5	
		16	DS202C M B16 A300	2CSR272140R3165	119852	0,23	1/5	
		20	DS202C M B20 A300	2CSR272140R3205	119951	0,23	1/5	
			25	DS202C M B25 A300	2CSR272140R3255	120056	0,23	1/5
			32	DS202C M B32 A300	2CSR272140 R3325	120155	0,23	1/5



RCBO 2P, B characteristic, I_{cn}=10 kA (acc. to IEC/EN 61009)

Type A (APR) high immunity

Number of poles	Rated residual current I _{Δn} mA	Rated current In A	Order details		Bbn 8012542 EAN	Weight 1 piece kg	Pack Unit pc.	
			Type code	Order code				
2	30	6	DS202C M B6 APR30	2CSR272440R1065	120957	0,23	1/5	
		10	DS202C M B10 APR30	2CSR272440R1105	121053	0,23	1/5	
		13	DS202C M B13 APR30	2CSR272440R1135	121152	0,23	1/5	
		16	DS202C M B16 APR30	2CSR272440R1165	121251	0,23	1/5	
		20	DS202C M B20 APR30	2CSR272440R1205	121350	0,23	1/5	
		25	DS202C M B25 APR30	2CSR272440R1255	121459	0,23	1/5	
	300	32	DS202C M B32 APR30	2CSR272440R1325	121558	0,23	1/5	
		6	DS202C M B6 APR300	2CSR272440R3065	124955	0,23	1/5	
		10	DS202C M B10 APR300	2CSR272440R3105	125051	0,23	1/5	
		13	DS202C M B13 APR300	2CSR272440R3135	125150	0,23	1/5	
		16	DS202C M B16 APR300	2CSR272440R3165	125259	0,23	1/5	
		20	DS202C M B20 APR300	2CSR272440R3205	125358	0,23	1/5	
			25	DS202C M B25 APR300	2CSR272440R3255	125457	0,23	1/5
			32	DS202C M B32 APR300	2CSR272440R3325	125556	0,23	1/5

DS202C M

Order codes



RCBO 2P, C characteristic, Icn=10 kA (acc. to IEC/EN 61009)

Type A

Number of poles	Rated residual current I Δ n mA	Rated current In A	Order details		Bbn 8012542 EAN	Weight 1 piece kg	Pack Unit pc.
			Type code	Order code			
2	10	13	DS202C M C13 A10	2CSR272140R0134	117957	0,23	1/5
		16	DS202C M C16 A10	2CSR272140R0164	118053	0,23	1/5
	30	6	DS202C M C6 A30	2CSR272140R1064	118855	0,23	1/5
		10	DS202C M C10 A30	2CSR272140R1104	118954	0,23	1/5
		13	DS202C M C13 A30	2CSR272140R1134	119050	0,23	1/5
		16	DS202C M C16 A30	2CSR272140R1164	119159	0,23	1/5
		20	DS202C M C20 A30	2CSR272140R1204	119258	0,23	1/5
		25	DS202C M C25 A30	2CSR272140R1254	119357	0,23	1/5
	300	32	DS202C M C32 A30	2CSR272140R1324	119456	0,23	1/5
		6	DS202C M C6 A300	2CSR272140R3064	120254	0,23	1/5
		10	DS202C M C10 A300	2CSR272140R3104	120353	0,23	1/5
		13	DS202C M C13 A300	2CSR272140R3134	120452	0,23	1/5
		16	DS202C M C16 A300	2CSR272140R3164	120551	0,23	1/5
		20	DS202C M C20 A300	2CSR272140R3204	120650	0,23	1/5
		25	DS202C M C25 A300	2CSR272140R3254	120759	0,23	1/5
		32	DS202C M C32 A300	2CSR272140R3324	120858	0,23	1/5



RCBO 2P, C characteristic, Icn=10 kA (acc. to IEC/EN 61009)

Type A (APR) high immunity

Number of poles	Rated residual current I Δ n mA	Rated current In A	Order details		Bbn 8012542 EAN	Weight 1 piece kg	Pack Unit pc.
			Type code	Order code			
2	30	6	DS202C M C6 APR30	2CSR272440R1064	121657	0,23	1/5
		10	DS202C M C10 APR30	2CSR272440R1104	121756	0,23	1/5
		13	DS202C M C13 APR30	2CSR272440R1134	121855	0,23	1/5
		16	DS202C M C16 APR30	2CSR272440R1164	121954	0,23	1/5
		20	DS202C M C20 APR30	2CSR272440R1204	122050	0,23	1/5
		25	DS202C M C25 APR30	2CSR272440R1254	122159	0,23	1/5
		32	DS202C M C32 APR30	2CSR272440R1324	122258	0,23	1/5

Auxiliary components for DS201 and DS202C

Order codes



Signal/auxiliary contact

Description	Order details		Bbn 4016779	Weight 1 piece kg	Pack Unit pc.
	Type code	Order code	EAN		
Signal contact/auxiliary switch	S2C-S/H6R	2CDS200922R0001	563819	0,04	1

Auxiliary contact

Description	Order details		Bbn 4016779	Weight 1 piece kg	Pack Unit pc.
	Type code	Order code	EAN		
Auxiliary contact	S2C-H6R	2CDS200912R0001	563826	0,04	1

Shunt trips

Rated voltage	Order details		Bbn 8012542	Weight 1 piece kg	Pack Unit pc
	Type code	Order code	EAN		
AC / DC 12...60V	F2C-A1	2CSS200933R0011	974901	0,15	1
AC 110...415V / DC 110...250V	F2C-A2	2CSS200933R0012	975007	0,15	1

Undervoltage releases

Rated voltage	Order details		Bbn 8012542	Weight 1 piece kg	Pack Unit pc
	Type code	Order code	EAN		
12VDC	S2C-UA 12 DC	2CSS200911R0001	839705	0,09	1
24VAC	S2C-UA 24 AC	2CSS200911R0002	839804	0,09	1
24VDC	S2C-UA 24 DC	2CSS200911R0007	896401	0,09	1
48VAC	S2C-UA 48 AC	2CSS200911R0003	839903	0,09	1
48VDC	S2C-UA 48 DC	2CSS200911R0008	896500	0,09	1
110VAC	S2C-UA 110 AC	2CSS200911R0004	840008	0,09	1
110VDC	S2C-UA 110 DC	2CSS200911R0009	896609	0,09	1
230VAC	S2C-UA 230 AC	2CSS200911R0005	840107	0,09	1
230VDC	S2C-UA 230 DC	2CSS200911R0010	896708	0,09	1
400VAC	S2C-UA 400 AC	2CSS200911R0006	840206	0,09	1

Overvoltage releases

Description	Order details		Bbn 8012542	Weight 1 piece kg	Pack Unit pc.
	Type code	Order code	EAN		
Overvoltage release (max tripping voltage AC: 275V)	S2C-OVP1	2CSS200910R0005	748137	0,100	1/5
Overvoltage release (max tripping voltage AC: 290V)	S2C-OVP2	2CSS200993R0005	952039	0,100	1/5

Plug-in base

Description	Order details		Bbn 8012542	Weight 1 piece kg	Pack Unit pc.
	Type code	Order code	EAN		
Plug-in base	S2C-EST	2CSS200999R0001	940708	0,115	1

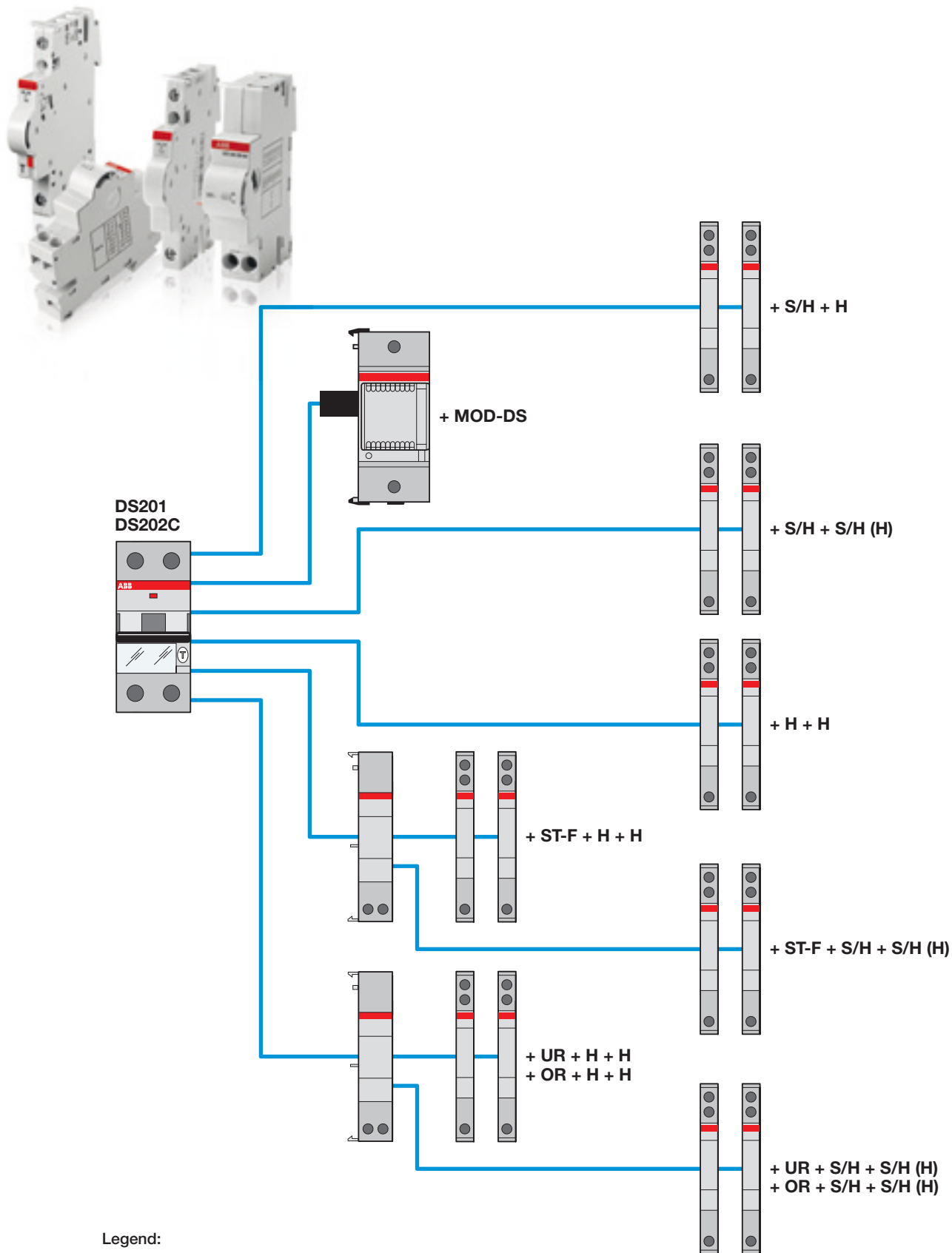
Motor operating device

Description	Order details		Bbn 8012542	Weight 1 piece kg	Pack Unit pc.
	Type code	Order code	EAN		
Motor operating device for DS201 - DS202C (*)	DS2C-CM	2CSR201997R0013	135951	0,16	1

(*) DS2C-CM available in 2010

DS201 and DS202C

Auxiliary elements and accessories



Legend:

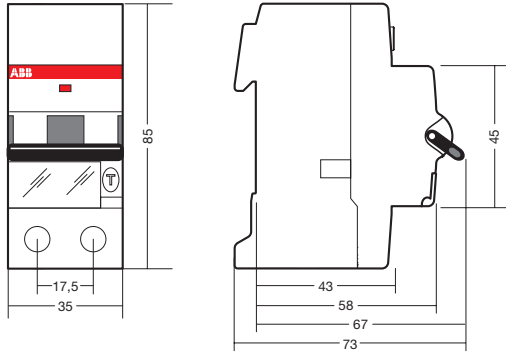
- H = auxiliary contact
- S/H = signal/auxiliary contact
- S/H (H) = signal/auxiliary contact used as auxiliary contact
- ST-F = shunt trip for F200 RCCB
- UR = undervoltage release
- OR = overvoltage release
- MOD-DS = motor operating device for DS201 - DS202C (*)

(*) DS2C-CM available in 2010

DS201 and DS202C

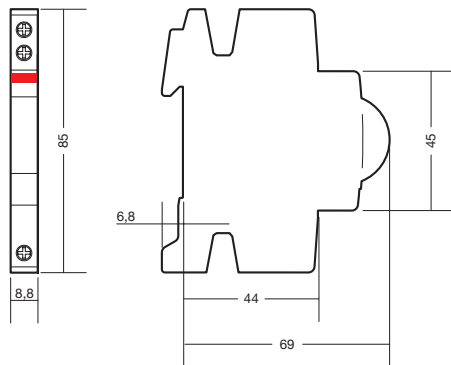
Overall dimensions

DS201 - DS202C

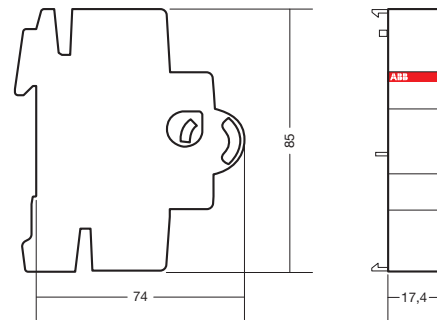


Auxiliary components

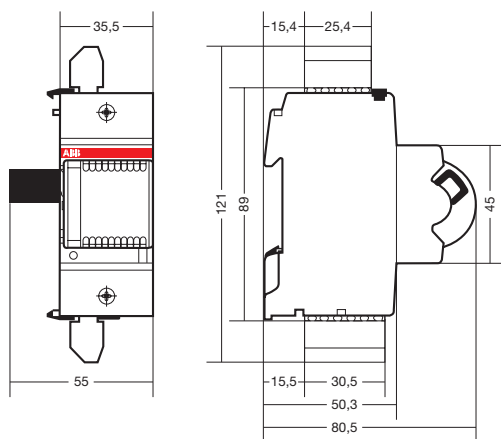
S2C-S/H6R - S2C-H6R



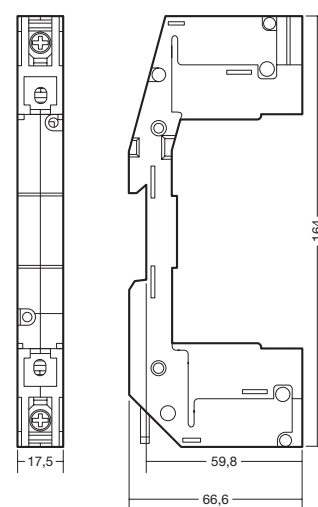
F2C-A - S2C-UA - S2C-OVP



DS2C-CM



S2C-EST



Dimensions in mm

Contact us

ABB SACE

A division of ABB S.p.A.

Line Protection Devices

Viale dell'Industria, 18

20010 Vittuone (MI) - Italy

Tel.: +39 02 9034 1

Fax: +39 02 9034 7609

www.abb.com

The data and illustrations are not binding. We reserve the right to modify the contents of this document on the basis of technical development of the products, without prior notice.

Copyright 2009 ABB. All rights reserved.

2CSC422004B0203 - 06/2009 - 1.500 Pz. - CAL